

Town of Owasco
2 Bristol Avenue
Auburn, New York 13021

J. Patrick Doyle
Code Enforcement Officer
Email: codes@owascony.gov

Office Phone: 315-253-9021

Fax: 315-253-2683

Cell Phone: 315-729-3921

Application No. _____

Date: 07/20/2020

Fee: \$ 182.40

Application for Building/Zoning Permit
(Not a Permit)

IMPORTANT INSTRUCTIONS, PLEASE READ CAREFULLY.

1. Application must be complete. Please type or clearly print in ink all necessary information.
2. Completed Application must be submitted to the Owasco Town Clerk with appropriate fee before review process can begin.
3. Application must be supported with the following documents:

MINOR PROJECT: A. Plot plan (see attached sample)
B. Sketch of project and/or specifications/materials list.

MAJOR PROJECT: A. Three (3) copies of plot plan signed
B. Three (3) copies of design drawings signed and sealed by a licensed architect or licensed professional engineer.
C. One (1) copy of approval from developer, if in Planned Development District.

PLEASE COMPLETE:

Location of property: 121 Eastwood Ave Auburn, NY 13021
(Street or Firelane No., Lot No., Nearest Road)

Tax Map No.: 123.11-2-61

Name of Owner: Paul & Amanda Woodmansee

Address: 121 Eastwood Ave Auburn, NY 13021

Phone, Email (315) 373-8067 Woodmansee83@yahoo.com
(Phone) (Cell) (Email)

Application for Building/Zoning Permit (continued)

A. PROJECT CONTACTS:

Builder (If self, so indicate) Self (Paul Woodmansee)

Address 121 Eastwood Ave Auburn, NY 13021

Phone / Cell / Email (315) 373-8067

Architect or Engineer _____

Address _____

Phone / Cell / Email _____

B. NATURE OF WORK

(CHECK ALL APPROPRIATE CATEGORIES BELOW):

Existing Structure(s)

- | | |
|------------------------------|--------------------------|
| 1. Repair (structural) _____ | 4. Removal _____ |
| 2. Addition _____ | 5. Demolition _____ |
| 3. Alteration _____ | 6. Other (specify) _____ |

New Structure(s)

- | | |
|--|--|
| 1. Single Family _____ | 3. Two Family _____ |
| 2. Accessory Buildings:
Garage: <input type="checkbox"/> Attached <input type="checkbox"/> Detached
Shed _____ | 4. Deck: <input checked="" type="checkbox"/> Covered _____ Open
5. Swimming Pool: _____ Above _____ Below
6. Other (specify) _____ |

C. PRINCIPAL CONSTRUCTION MATERIAL TO BE USED:

- | | |
|---|--------------------------|
| 1. Wood <input checked="" type="checkbox"/> _____ | 3. Block _____ |
| 2. Brick _____ | 4. Other (Specify) _____ |

D. TYPE OF FOUNDATION:

- | | |
|--------------------------|---------------------|
| 1. Cellar _____ | 3. Basement _____ |
| 2. Slab _____ | 4. Crawlspace _____ |
| 5. Other (Specify) _____ | |

E. COMPLETE THE FOLLOWING:

1. Water Source: Public Private Well _____ Other _____

2. Sewage: Public Private* _____ None _____

* If private, has sewage disposal permit been applied for Yes _____ No _____

3. Will the project involve plumbing? Yes _____ No

4. Will the project involve H.V.A.C.? Yes _____ No

5. Will the project involve electrical? Yes _____ No

F. COST OF THIS PROJECT: (all labor* and materials) \$ 25,000

* estimate your labor, if applicable.

Application for Building/Zoning Permit (continued)

G. ZONING DISTRICT OF PROPERTY (Circle One)

1. Residential

2. Agricultural/Residential

3. Lakeshore

H. PRINCIPAL USE OF PRESENT STRUCTURE(S) AND/OR LAND (Circle One)

1. Residential

2. Agricultural/Residential

3. Lakeshore

4. Other (Specify) _____

I. PRINCIPAL USE OF THIS PROPOSED PROJECT. (Describe) Partially covered deck.

J. DIMENSIONS OF TOTAL PROPERTY (If applicable)

Lot size: Length 100' (X) Width 70' (=) Total sq. ft. 7,000

Existing Buildings:

Length 32' (X) Width 40' (=) sq. ft. 2,128 1,104

Length 12' (X) Width 24' (=) sq. ft. 288

Length _____ (X) Width _____ (=) sq. ft. 64

Total square footage – Existing buildings _____

K. DIMENSIONS OF PROPOSED PROJECT (If applicable)

Length 14' (X) Width 56' (=) Total sq. ft. 912 + STAIRS = 944

Height 7' 5" Number of stories 2

L. PROPERTY LINE SETBACKS OF PROPOSED PROJECT. (If applicable)

Front lot line setback _____ ft.

EAST
Side lot line setback 5 ft.

Rear lot line setback 27 ft.

WEST
Side lot line setback 9 ft.

M. ENCLOSED LIVING AREA. (If applicable)

Total sq. Ft. _____

GENERAL INFORMATION PERTAINING TO THIS APPLICATION

This application will be reviewed by the Code Enforcement Officer and/or the Town Consulting Engineer. If disapproved, a letter of denial explaining reason(s) for denial will be issued to applicant. If approved, a BUILDING/ZONING PERMIT will be issued to the Applicant.

Work covered by this APPLICATION shall not commence prior to the issuance of a PERMIT. The PERMIT shall be valid for a period of twelve (12) months from the date of issuance. Construction under the PERMIT must be substantially complete within twelve (12) months or an extension must be obtained from the Code Enforcement Officer. A NOTICE OF PERMIT (issued by the Town) must be kept on the premises, publicly visible, throughout the progress of work.

Application for Building/Zoning Permit (continued)

This project may involve work requiring approval of various outside agencies. Certain outside agency approvals may be required prior to the issuance of a Permit. Final approval of all agencies involved must be submitted to the Code Enforcement Officer prior to the issuance of a Certificate of Occupancy or Compliance. Examples, not limited to the following, would be:

<u>Project Involvement</u>	<u>Agency</u>
1. Land division, SEQR, etc.	Owasco Planning Board
2. Zoning matters, SEQR	Owasco Zoning Board of Appeals
3. Public water, sewer	Owasco Water, Sewer Departments(s)
4. Private septic system	Cayuga County Health Department
5. N.Y.S. Roads	NYS Dept. of Transportation
6. Floodplains, wetlands	NYS Dept. of Environmental Conservation
7. Streams, Lakes, etc.	U.S. Army Corps of Engineers

Application for a CERTIFICATE OF OCCUPANCY OR COMPLIANCE is made concurrently with this filing. It is the responsibility of the owner or authorized agent to notify the Code Enforcement Officer when the project is completed in order to obtain a Certificate of Occupancy or Compliance.

The Town Code Enforcement Officer and/or Building Inspector, upon the display of proper credentials and in the discharge of his duties, shall be permitted to enter upon the premises covered by this application with out interference, for the purposes of inspecting, during normal working hours.

No person shall make any changes to the plans herewith submitted or of the specifications herein contained in the structural part of the project without the written consent of the Code Enforcement Officer.

.....

I certify that the answers to the questions set forth in this APPLICATION are true, correct and complete. Additionally, I agree that, in the event the PERMIT is approved, to comply with the provisions of all State of New York and Federal Government laws, rules and regulations, as they pertain this APPLICATION.

Signature: Paul Woodmansee
(Owner or authorized agent)

TOWN OF OWASCO

ATTACHMENT TO APPLICATION FOR BUILDING/ZONING PERMIT

APPENDIX E - EROSION & SEDIMENT CONTROL PLAN FOR SMALL
HOMESITE CONSTRUCTION

In accordance with the Town of Owasco Town Board Resolution 08-060 dated March 13, 2008, I acknowledge receipt of Appendix E - Erosion & Sediment Control Plan for Small Homesite Construction and agree to comply with the regulations set forth in said Appendix E. Failure to comply with these regulations will result in the issuance of a stop work order by the Code Enforcement Officer.

Signature: Paul Woodmanssee
(Owner or authorized agent)

Date: 07/20/2020

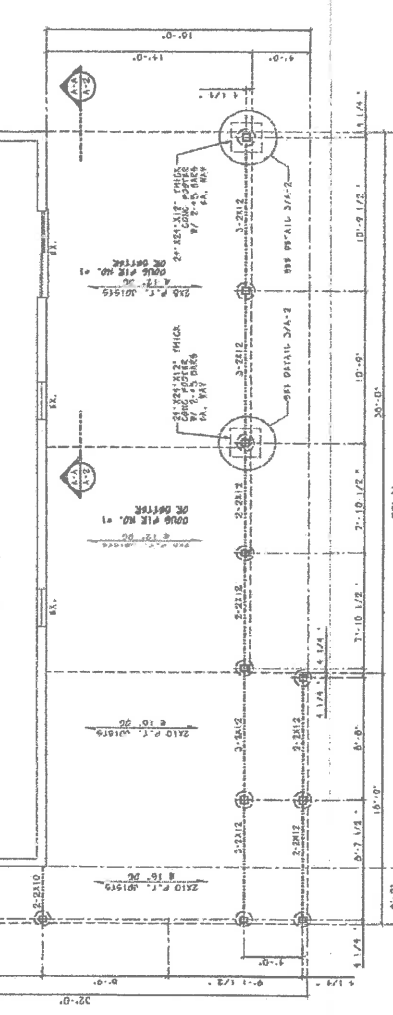
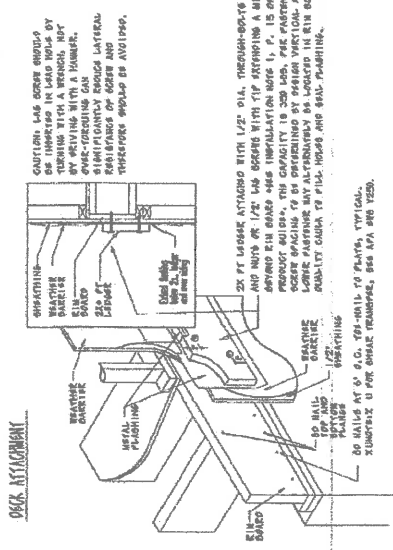
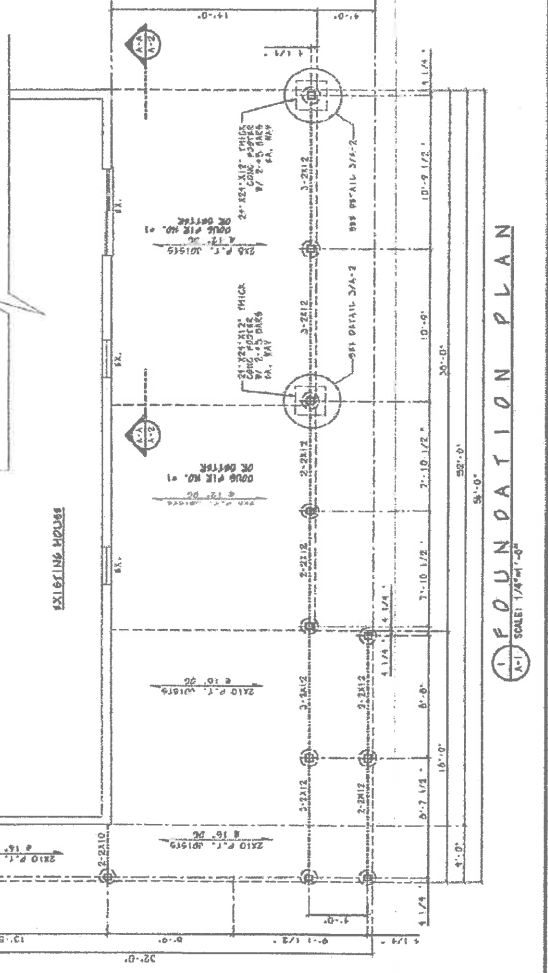
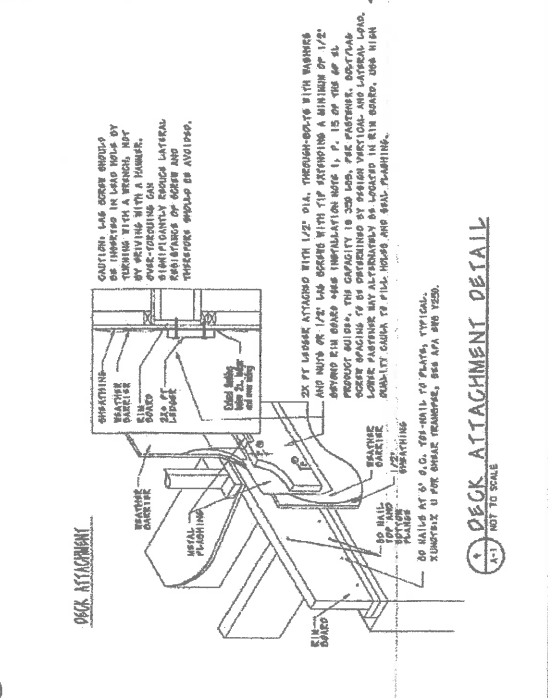
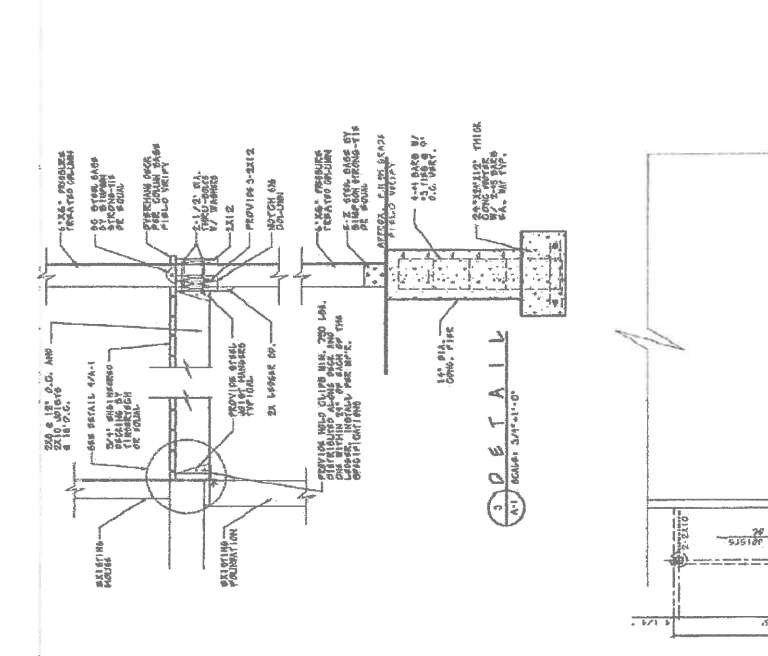
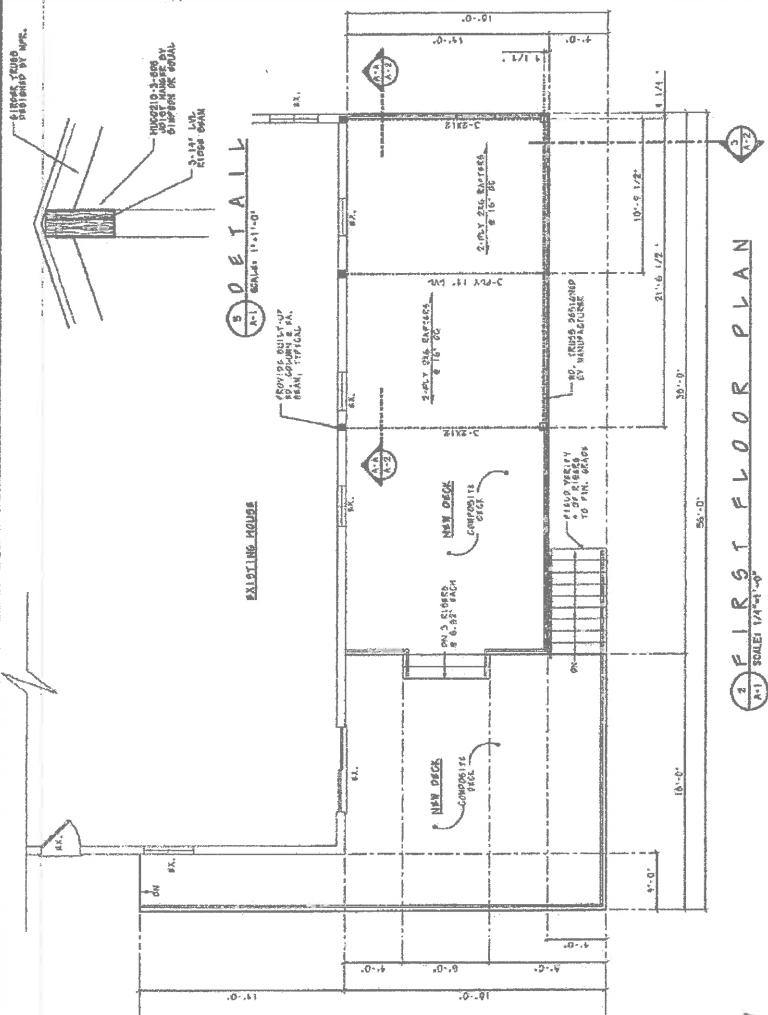
MICHAEL J. PALMIERI ARCHITECT
 6025 SOUTH STREET ROAD
 AUDUBEN, NEW YORK 13021
 PHONE 315-255-1010

PORCH & DECK ADDITION
 FOR: PAUL AND AMANDA WOODSMANSEE
 121 EASTWOOD AVE.,
 AUDUBEN, NY 13021

FOUND. PLAN
 PLAN & DETAIL



A-1
 OF 2



1-1 SCALE: 1/4"=1'-0"

2-2 SCALE: 1/2"=1'-0"

EXISTING HOUSE

NEW DECK

Labels include: 2x8 JOIST, 2x6 DECKING, 1/2" SHEETROCK, 1x4 PIA COND. PIPE, 2x6 BATTEN, 1/2" G.C. AND 2x10 W/10'S.

1-1 SCALE: 1/4"=1'-0"

2-2 SCALE: 1/2"=1'-0"

EXISTING HOUSE

NEW DECK

Labels include: 2x8 JOIST, 2x6 DECKING, 1/2" SHEETROCK, 1x4 PIA COND. PIPE, 2x6 BATTEN, 1/2" G.C. AND 2x10 W/10'S.

1-1 SCALE: 1/4"=1'-0"

2-2 SCALE: 1/2"=1'-0"

EXISTING HOUSE

NEW DECK

Labels include: 2x8 JOIST, 2x6 DECKING, 1/2" SHEETROCK, 1x4 PIA COND. PIPE, 2x6 BATTEN, 1/2" G.C. AND 2x10 W/10'S.

